



Emastiga Engineering Pte Ltd

08 Kian Teck Drive, Singapore 628825

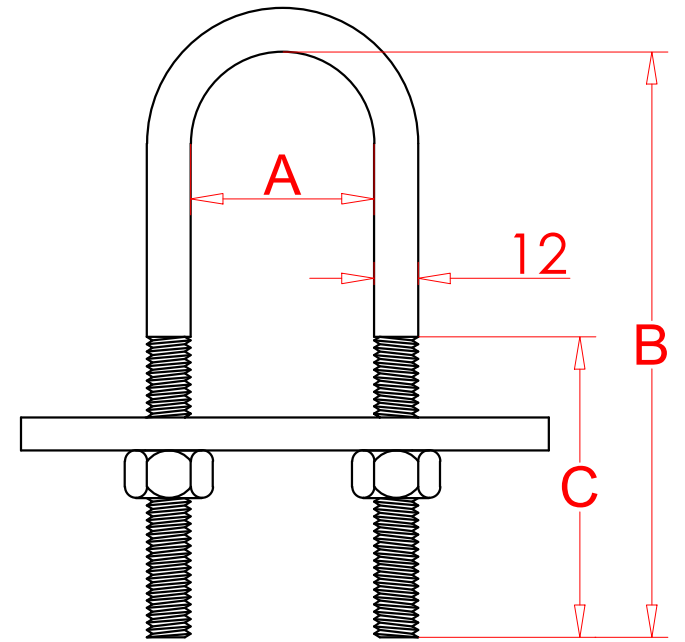
Tel: +65 6844 2919 Fax: +65 6848 2552

E-mail: emastiga@singnet.com.sg

U - BOLTS

Dimension Chart (in mm)

A (ID)	B (Bolt Length)	C (Thread Length)	Nut
25	80	40	1/2" BSW
28	90	45	1/2" BSW
35	90	45	1/2" BSW
35	100	50	1/2" BSW
45	100	50	1/2" BSW
45	110	55	1/2" BSW
45	120	60	1/2" BSW
45	130	60	1/2" BSW
45	150	60	1/2" BSW
45	170	60	1/2" BSW
55	110	55	1/2" BSW
55	120	60	1/2" BSW
55	150	60	1/2" BSW
65	100	50	1/2" BSW
65	120	60	1/2" BSW
65	130	60	1/2" BSW
65	150	60	1/2" BSW
70	100	50	1/2" BSW
70	120	60	1/2" BSW
70	130	60	1/2" BSW
75	110	55	1/2" BSW
75	120	60	1/2" BSW
80	120	60	1/2" BSW
85	130	60	1/2" BSW
90	110	55	1/2" BSW
90	120	60	1/2" BSW
90	130	60	1/2" BSW
100	120	60	1/2" BSW
100	130	60	1/2" BSW
110	120	60	1/2" BSW
110	130	60	1/2" BSW
120	130	60	1/2" BSW
130	130	60	1/2" BSW



U - Bolts are produced from Low Carbon Steel and comes with 2 NOS of 1/2" BSW hexagon Nut and 1 NOS of U-Bolt plate.

U-Bolt Plate Dimension

